

SCREWJACK OPENER

Manual Screwjack Opener to operate high level rooflights. Maximum opening of 380 mm (adjustable). Can be fitted to most window types Aluminium, Timber or uPVC. Individual or multiple SJ138600 Screwjack Openers can be controlled from a single T200, T210 or T300 Operator. Supplied complete with fixing brackets.

SCREWJACK OPENER

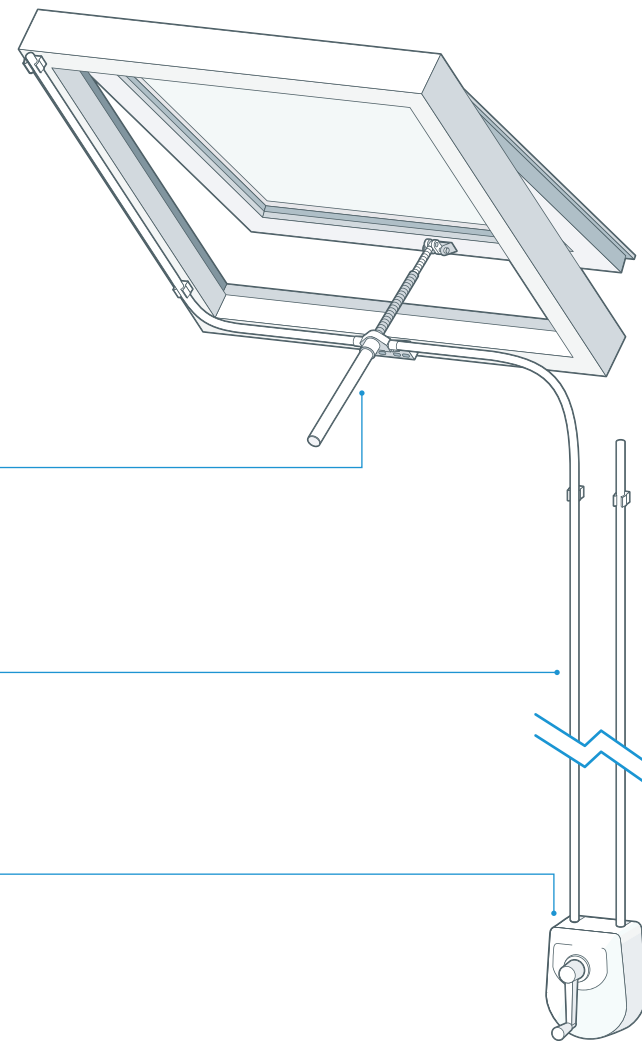
Fixed to the outer frame of the opening vent. When cable is driven through it's inner cog the spindle inside the opener will push to open or pull to close the opening vent.

CONDUIT

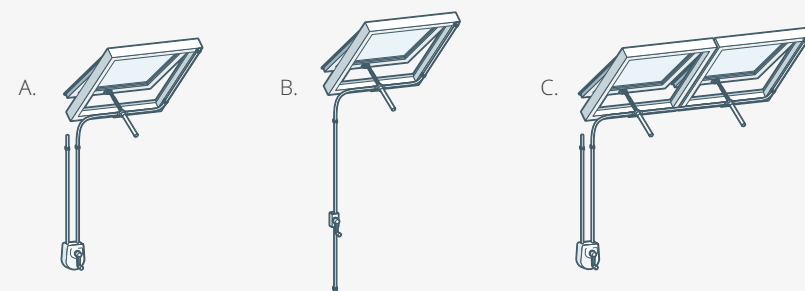
Plastic covered metal tube with nylon inner liner. Used to house inner cable which is driven from Operator to Opener.

OPERATOR

Used to wind inner cable through conduit. The handle can be turned one way to Open the window or turned the other way to Close.



EXAMPLES



The drawings and images in this document must not be copied, or placed at the disposal of a third party in whole or part without the permission.

