

CHAIN OPENER

Manual Chain Opener used to drive open or close a high level or hard to reach window. Maximum opening stroke of 250 mm (T100) or 380 mm (T150) (adjustable). Can be fitted to most window types Aluminium, Timber or uPVC. Individual or multiple T100/T150 Chain Openers can be controlled from a single T200, T210, T250 or T300 Operator. Various fixing brackets available (each sold separately). Supplied complete with vent bracket.

CHAIN OPENER

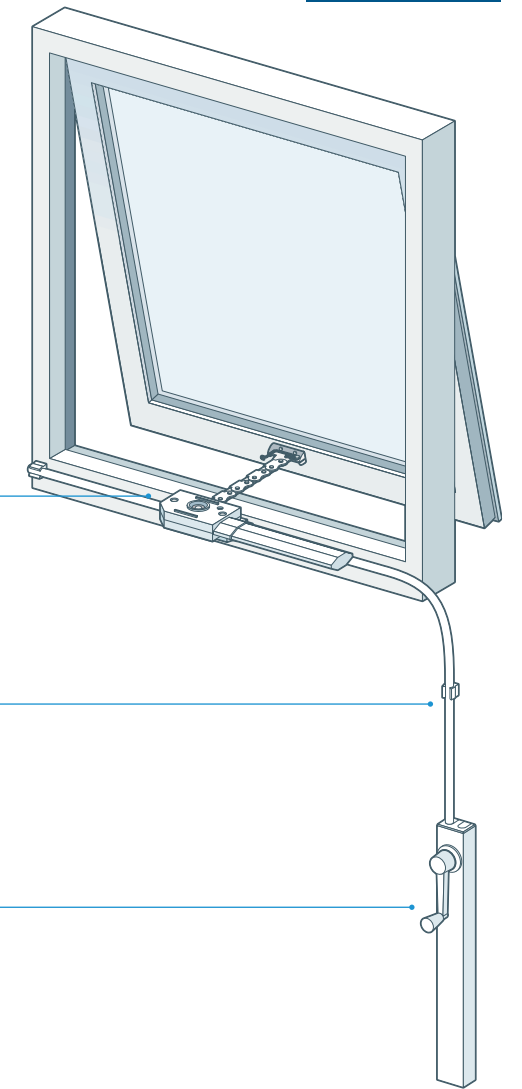
Fixed to the outer frame of the opening vent. When cable is driven through the unit the opener will push to open or pull to close the opening vent.

CONDUIT

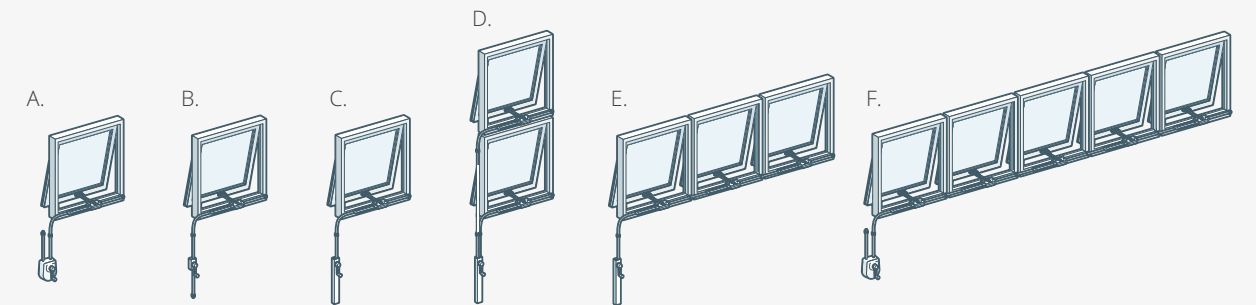
Plastic covered metal tube with nylon inner liner. Used to house inner cable which is driven from Operator to Opener.

OPERATOR

Used to wind inner cable through conduit. The handle can be turned one way to Open the window or turned the other way to Close.



EXAMPLES



The drawings and images in this document must not be copied, or placed at the disposal of a third party in whole or part without the permission.